

B	UPDATED CHART AND NOTES. M.E.B. 12/2/14	N/A	N/A	DGM 12/8/14	MEH 12/16/14	KDB 12/16/14
REV	REVISION DESCRIPTION	B.O.M.	ELEC. ENG	MECH. ENG	CHECKED	APPROVED

REVISION HISTORY

NOTES:

1. DOORS REQUIRE A 24" [610mm] RADIUS SWING HINGED AT LEFT SIDE OF FRONT PANEL; FRONT AND REAR CLEARANCE MINIMUM IS 36" [914mm], TOP CLEARANCE MINIMUM IS 24" [610mm], AND SIDE CLEARANCE MINIMUM IS 1" [25mm].

2. THE PRESSURE VESSEL IS BUILT TO COMPLY WITH ASME SECTION IV.

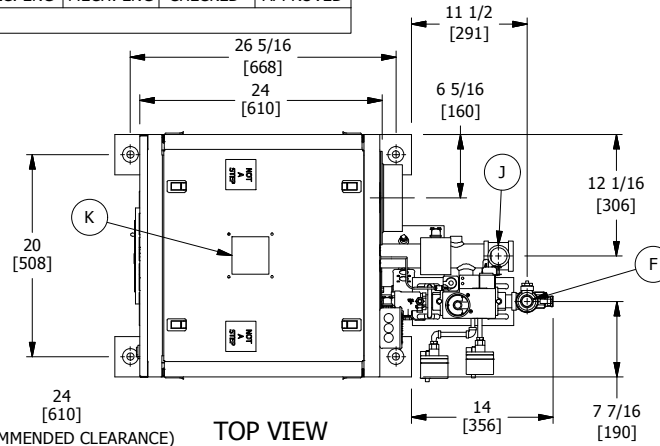
3. APPROPRIATE SAFETY RELIEF VALVE AND BUSHING ARE DETERMINED BY TRIM PRESSURE AND ARE SUPPLIED IN THE TRIM KIT TO BE INSTALLED BY OTHERS. INLET AND OUTLET ARE NPT AND SIZES ARE AS FOLLOWS:

- 30# - 3/4" INLET X 1" OUTLET
- 60# - 3/4" INLET X 1" OUTLET
- 100# - 3/4" INLET X 1" OUTLET
- 125# - 3/4" INLET X 1" OUTLET
- 160# - 3/4" INLET X 1" OUTLET

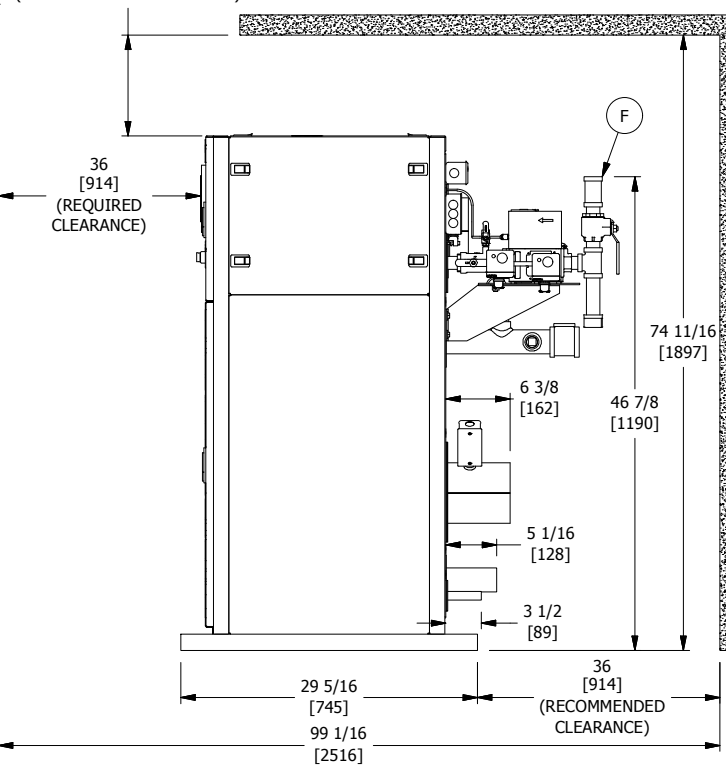
4. 6" [152mm] RUBBER COUPLING SUPPLIED IN TRIM KIT TO BE INSTALLED BY OTHERS.

5. ALL DIMENSIONS ARE IN INCHES [MILLIMETERS] AND ARE FOR REFERENCE ONLY. THIS DRAWING IS NOT FOR CONSTRUCTION PURPOSES.

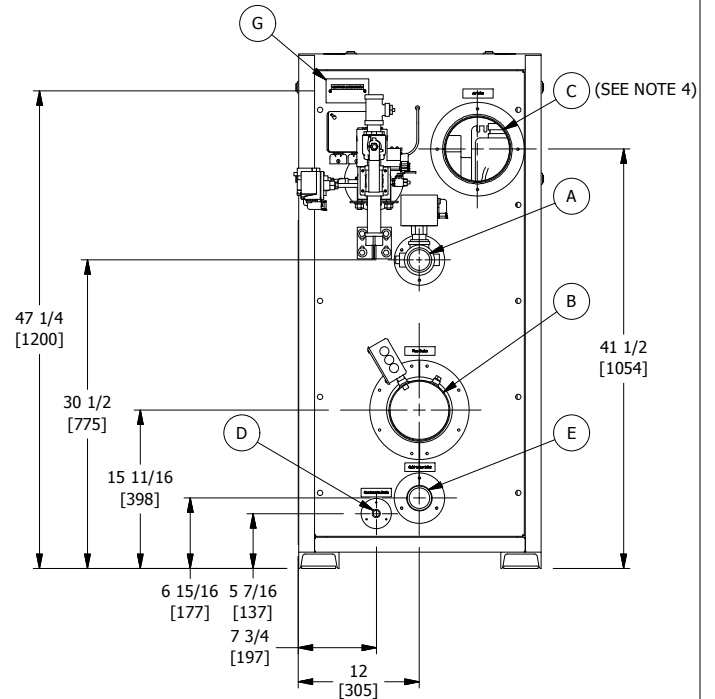
CUSTOMER CONNECTIONS			
ITEM	DESCRIPTION	SIZE	TYPE
A	WATER OUTLET	2"	NPT
B	EXHAUST OUTLET (CATEGORY IV)	6"	-
C	AIR INLET (SEE NOTE 4)	6"	-
D	CONDENSATE DRAIN	1/2"	NPT
E	WATER INLET	2"	NPT
F	FUEL INLET	1"	NPT
G	CUSTOMER ELECTRICAL CONNECTION (120V/60HZ)	-	-
H	CONTROL DISPLAY	-	-
J	SAFETY VALVE CONNECTION (SEE NOTE 3)	1 1/4"	NPT
K	FLAME VIEW PORT	-	-



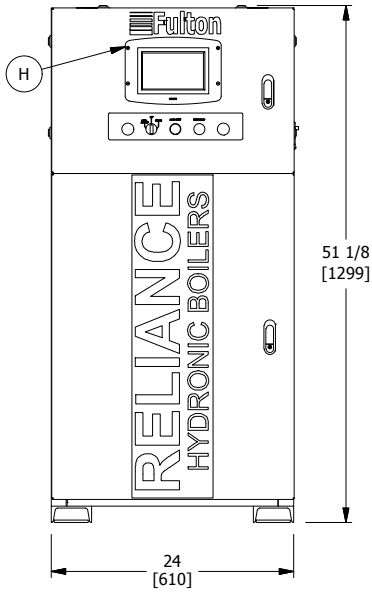
TOP VIEW



RIGHT SIDE VIEW



REAR VIEW



FRONT VIEW

THIS DRAWING SUPERSEDES DRAWING NUMBER **R91-0011**

<small>UNLESS OTHERWISE NOTED: DIMENSIONS ARE IN INCHES TOLERANCES ON FRACTIONS ± 1/4 (2) PLACE DEC. ± .01 (3) PLACE DEC. ± .005 ANGLES ± 2 DEG. SURFACE FINISH 250 MICRO-INCHES</small>	This design and drawings are proprietary and are the exclusive property of The Fulton Companies. The corporation does not permit their use except with prior written consent.	The items shown in this drawing may be covered by one or more patents of The Fulton Companies.	DRAWN BY: M.GIGLIOTTI 12/11/2011	MECH. ENG: K.BOTTORFF 6/27/2012	JOB NUMBER:	DESCRIPTION: RLN-750, RLN-1000 AHRI HYDRONIC BOILER WITH CSD-1 / CSA FUEL TRAIN (4-14"WC NATURAL GAS) PRODUCT DATA SUBMITTAL END ASSEMBLY	The Fulton Companies 972 Centerville Road Pulaski, New York USA 13142	
	CHECKED BY: W.FOLNSBEE 7/23/2012	ELEC. ENG: N/A	PROJECT NAME:					
	B.O.M. REVIEW N/A	APPROVED BY: T.SARGENT 5/28/2012	PROJECT MANAGER:					

DRAWING NUMBER
R91-0012

REV
B